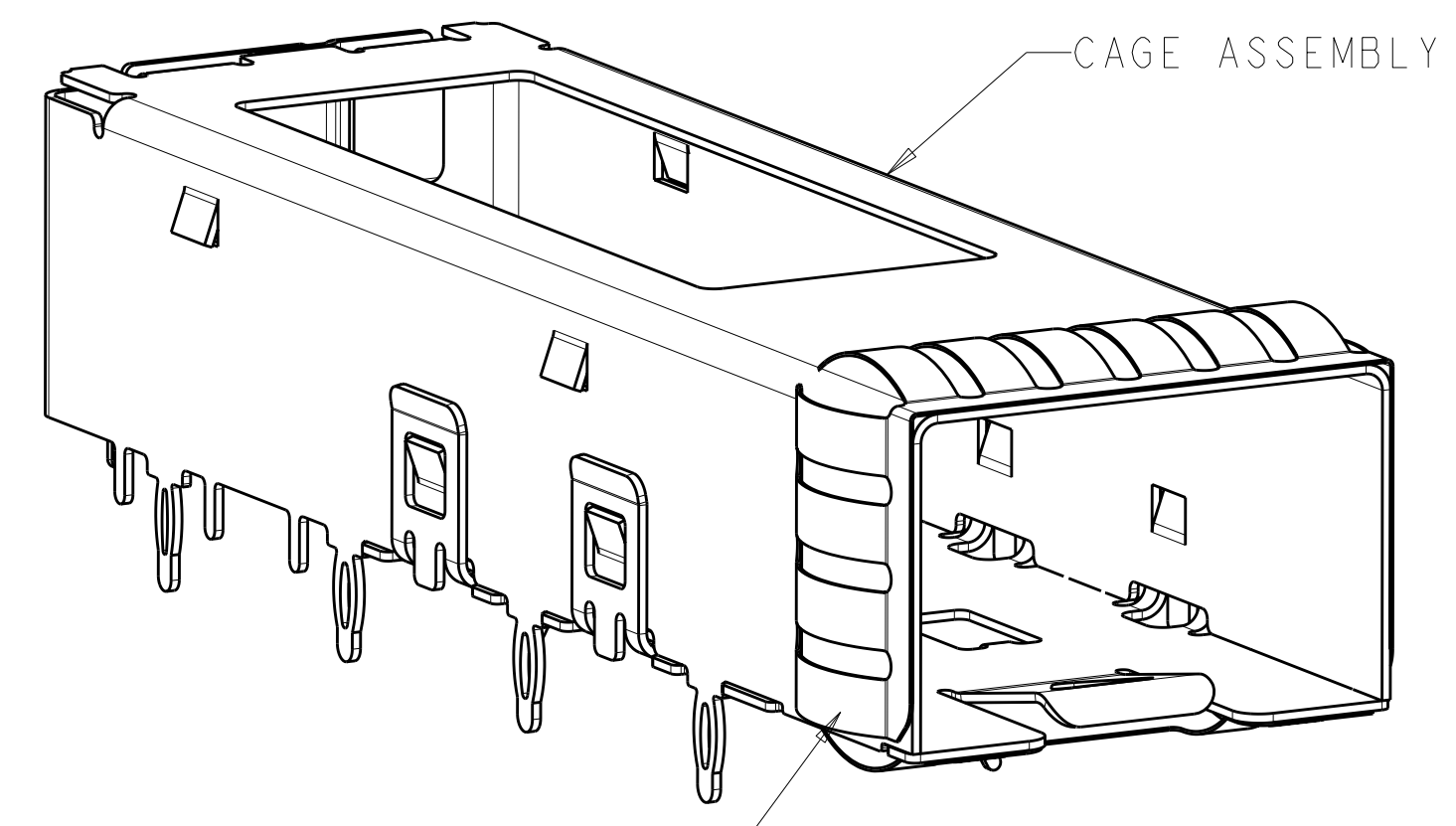
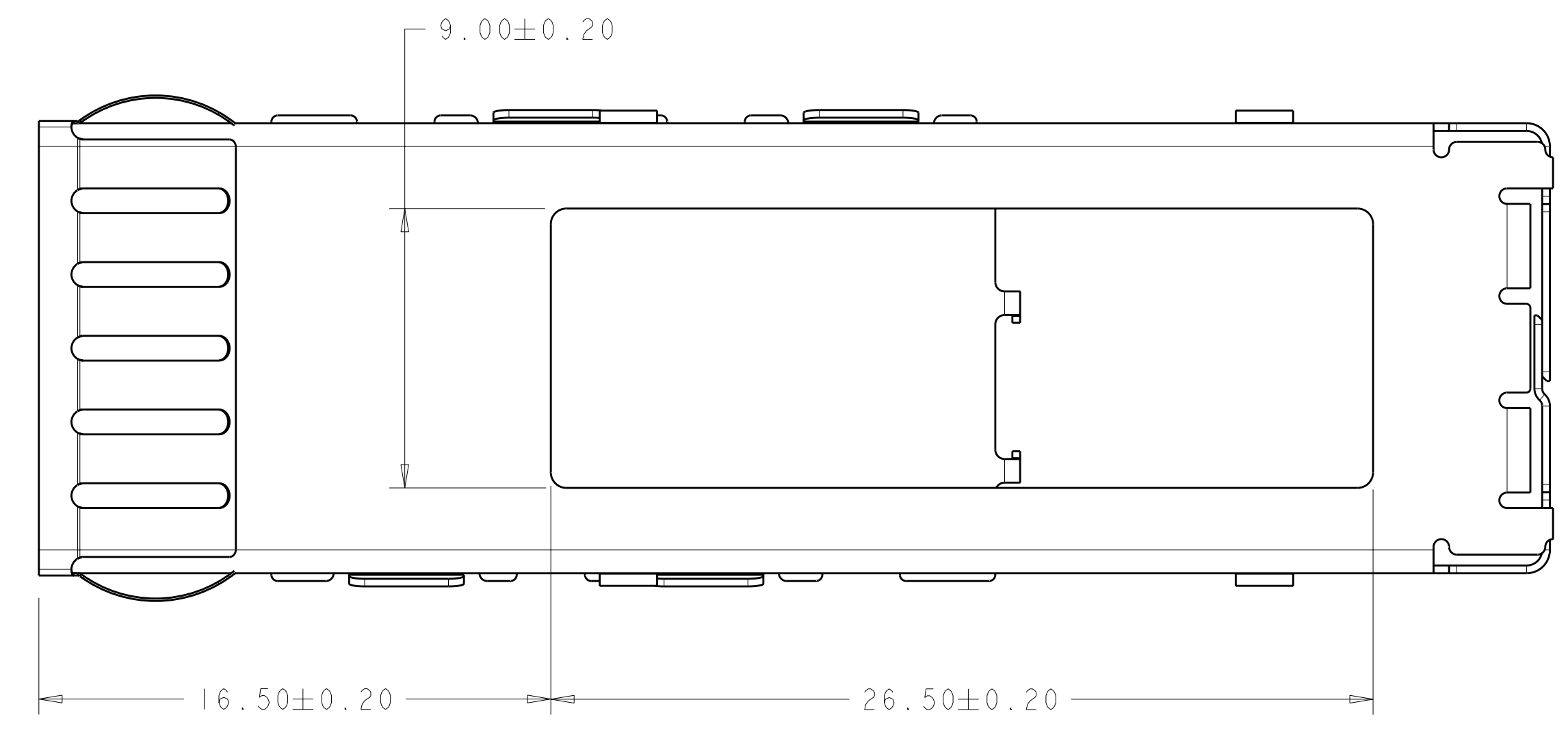


LOC	DIST	REV	DATE	BY	CHK	APPV
GP	00					
B1			11MAR2011	RK	HMR	
C			07DEC2011	TX	AC	

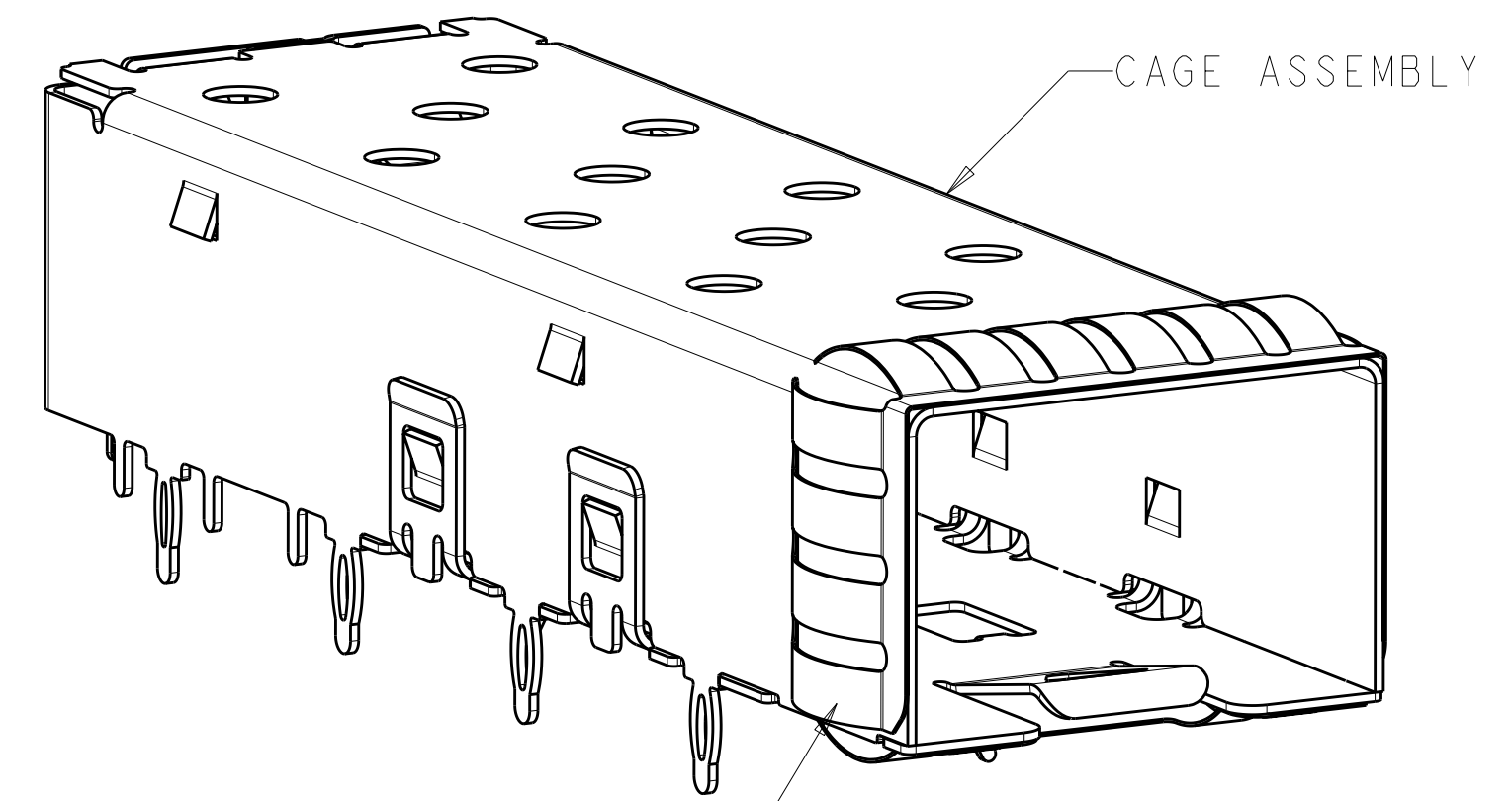


2007198-2
SCALE 5:1

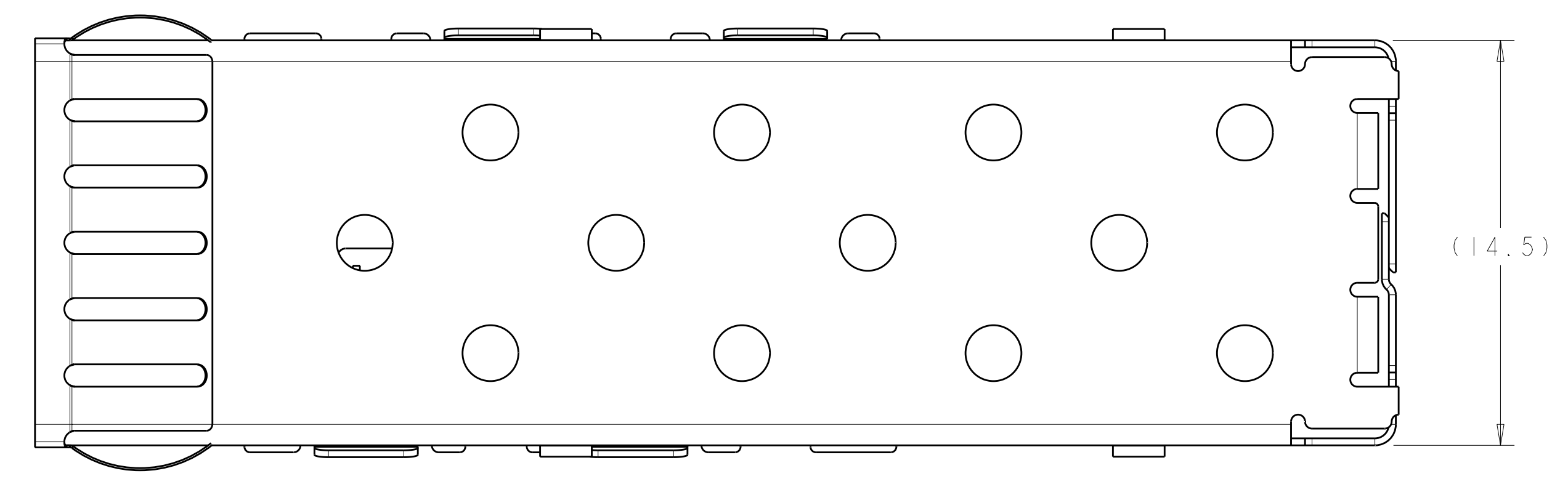


2007198-2
SAME AS 2007198-1 EXCEPT AS SHOWN
TOP VIEW

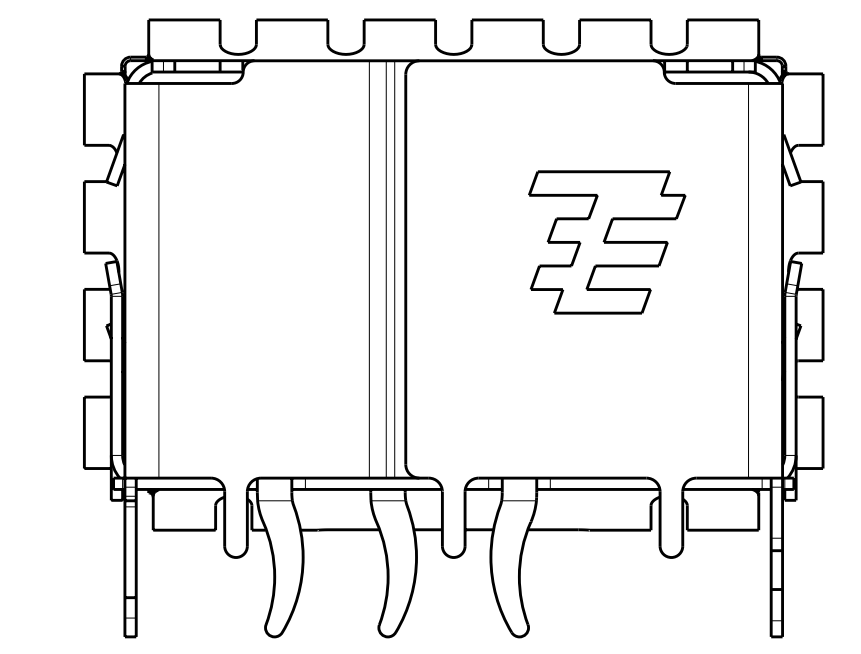
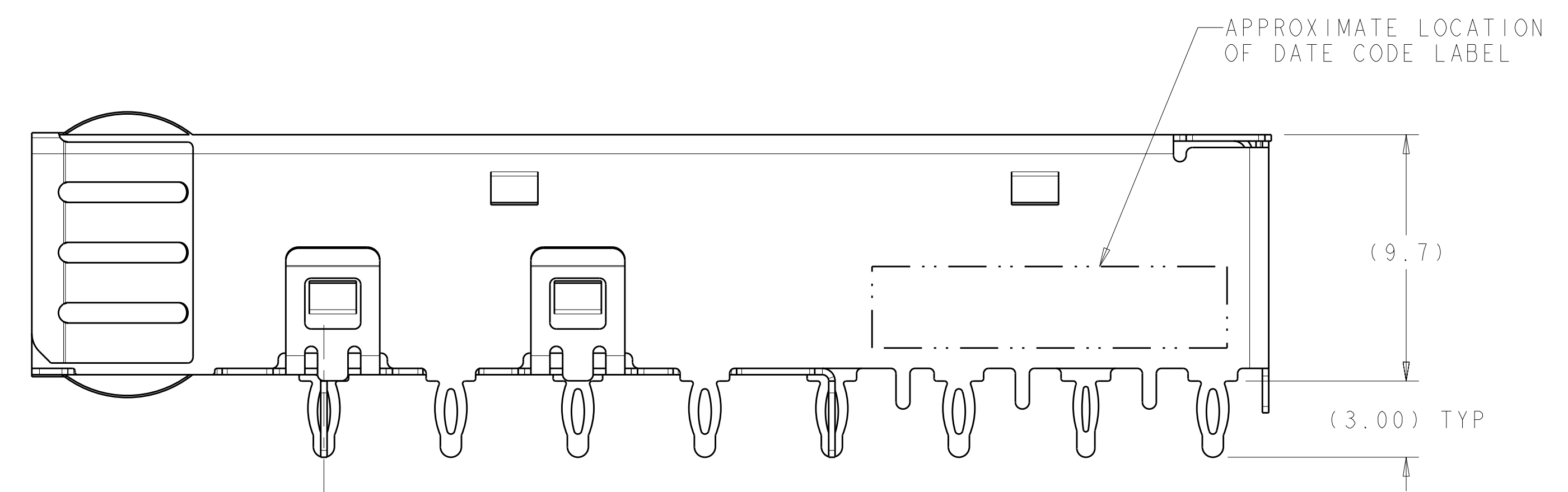
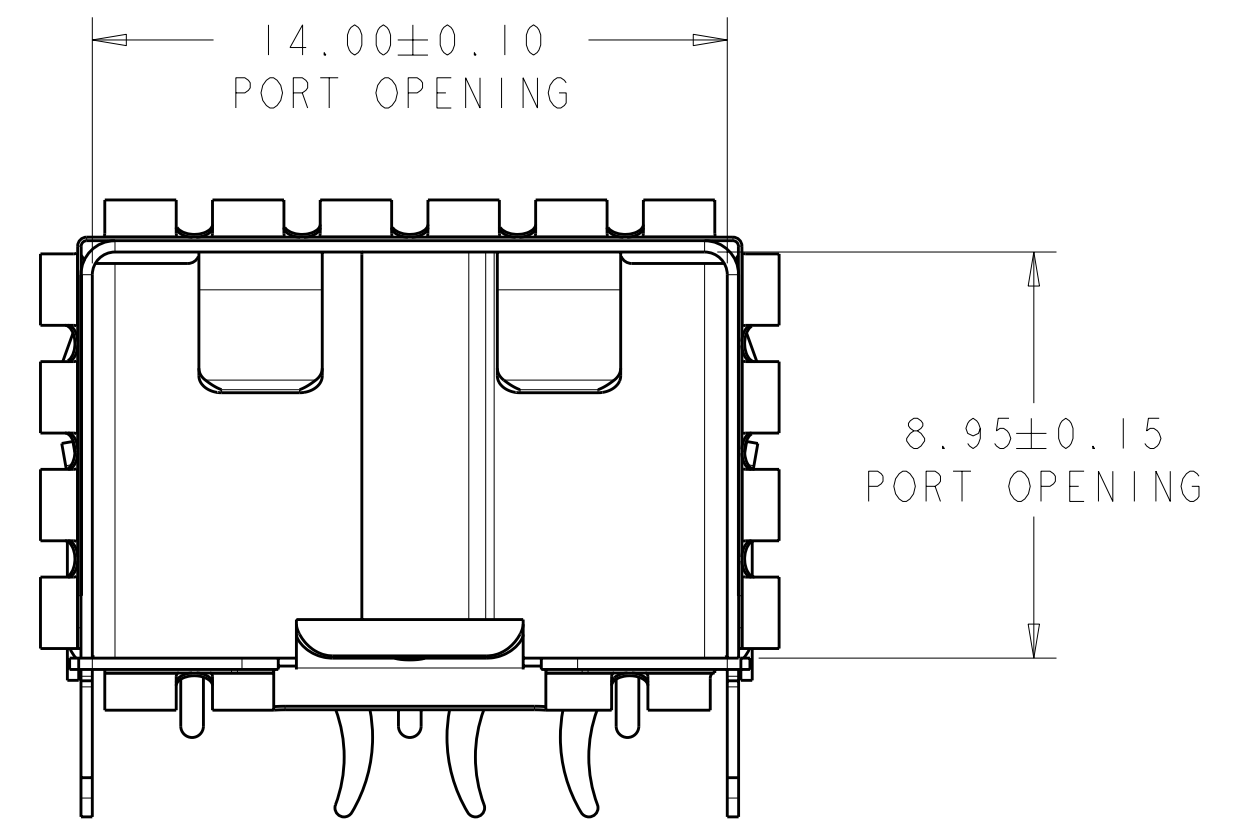
- 1 MATERIAL:
CAGE ASSEMBLY - 0.25mm THICK NICKEL SILVER ALLOY.
EMI SPRINGS - COPPER ALLOY.
- 2 FINISH
EMI SPRINGS - 0.8um MIN MATTE TIN OVER 0.8um MIN NICKEL,
NON-PLATED EDGES PERMISSIBLE.
- 3. MATES WITH SFP MSA COMPLIANT TRANSCEIVERS.
- 4 PADS AND VIAS CHASSIS GROUND.
- 5 DATUM AND BASIC DIMENSION ESTABLISHED BY CUSTOMER.
- 6. MINIMUM PC BOARD THICKNESS:
SINGLE SIDED = 1.50 mm
DOUBLE SIDED = 3.00 mm
- 7 REFERENCE APPLICATION SPEC. 114-13120, HOLE A, FOR
RECOMMENDED DRILL HOLE DIAMETER AND PLATING THICKNESS.
- 8 REFERENCE APPLICATION SPEC. 114-13120, HOLE C, FOR
RECOMMENDED DRILL HOLE DIAMETER AND PLATING THICKNESS.
- 9. NOTE DELETED



2007198-1
SCALE 5:1



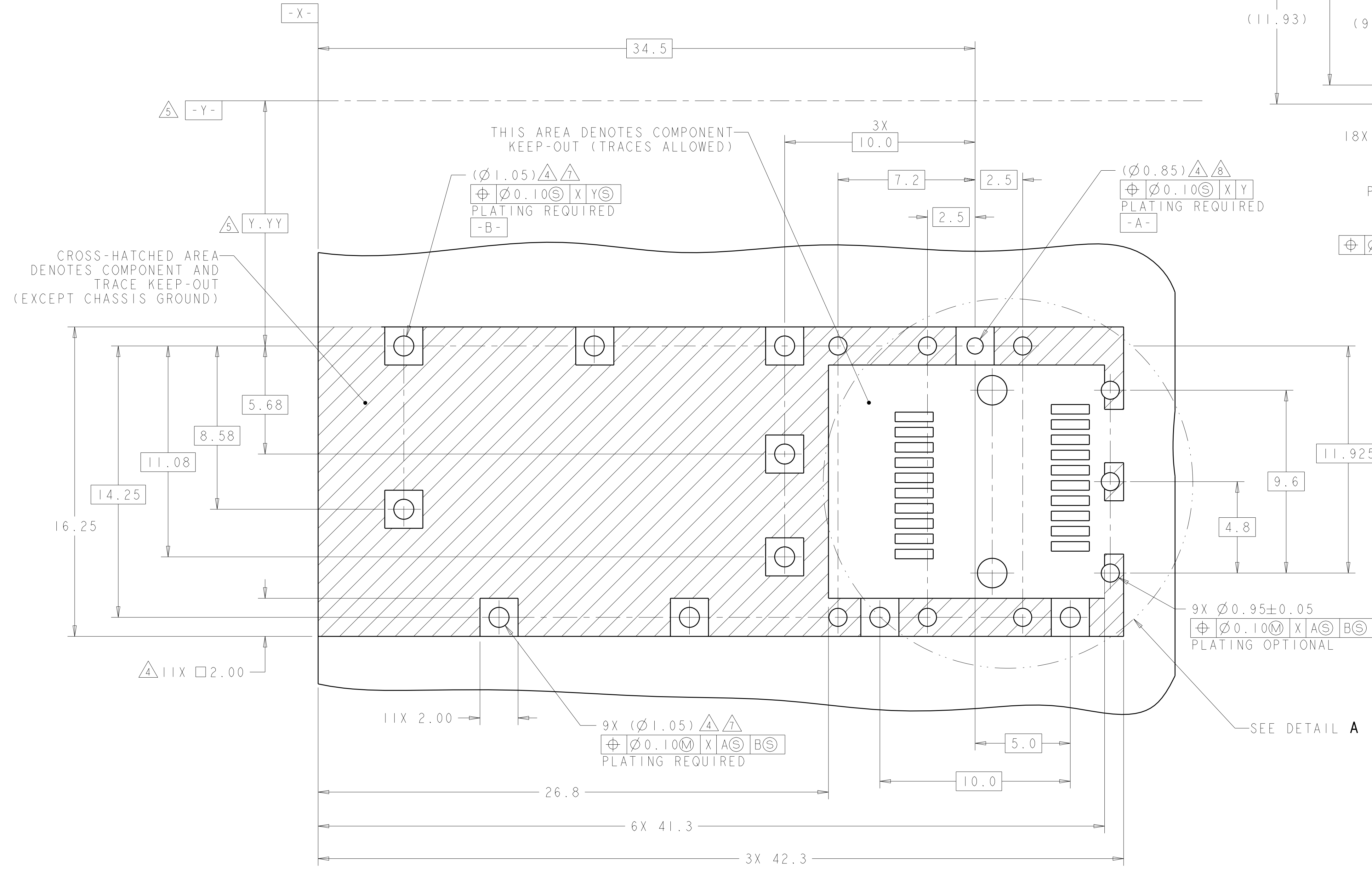
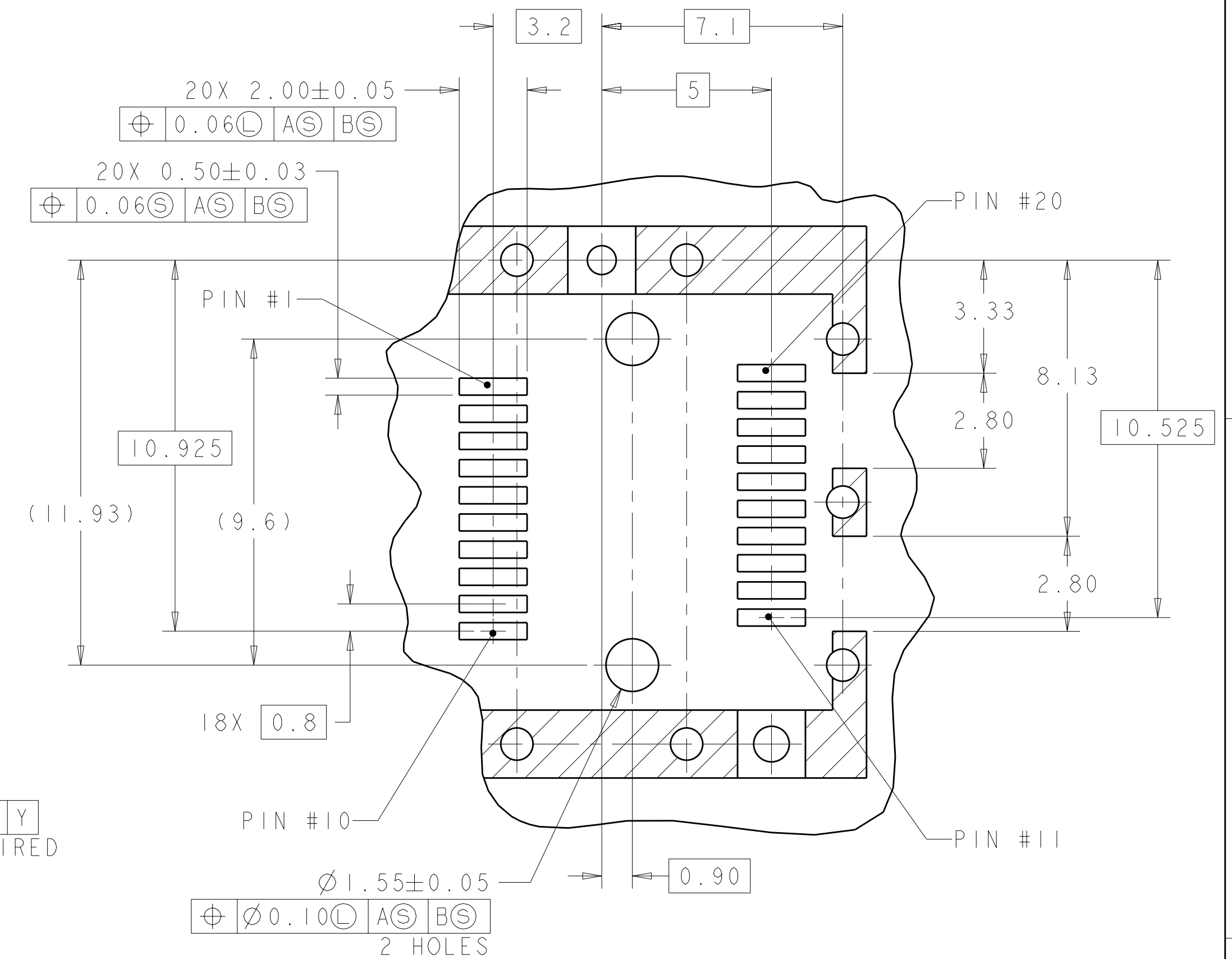
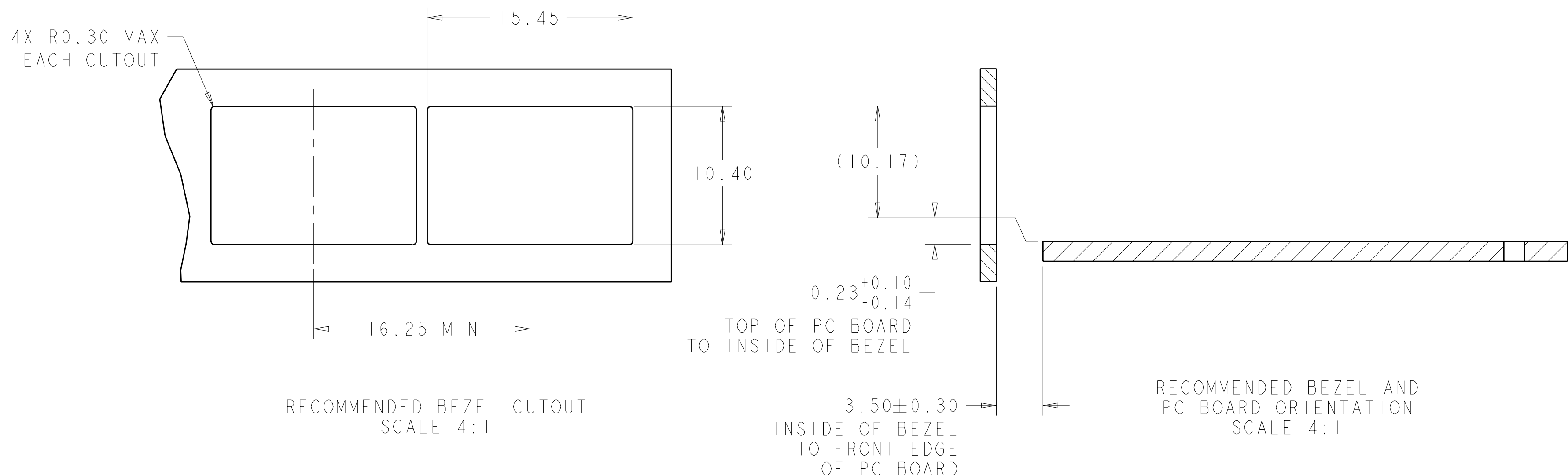
2007198-1
TOP VIEW



HEATSINK OPENING	2007198-2
EMI HOLES	2007198-1
DESCRIPTION	PART NUMBER

THIS DRAWING IS A CONTROLLED DOCUMENT.		DWN M. SCHMITT 07JUN07		TE Connectivity SFP+ IXI CAGE ASSEMBLY, PRESS FIT, EXTERNAL EMI SPRINGS	
DIMENSIONS: mm		CHK M. SCHMITT 07JUN07			
TOLERANCES UNLESS OTHERWISE SPECIFIED:		APPV B. WERTZ 07JUN07		NAME	
0 PLC ±0.1 1 PLC ±0.1 2 PLC ±0.1 3 PLC ±0.1 4 PLC ±0.05 ANGLES ±0.05		PRODUCT SPEC 108-2364		SIZE CAGE CODE DRAWING NO	
MATERIAL		APPLICATION SPEC 114-13120		RESTRICTED TO	
FINISH		WEIGHT		A100779C=2007198	
CUSTOMER DRAWING		SCALE 6:1		SHEET 1 OF 2 REV C	

LOC	DIST	REV	DESCRIPTION	DATE	DWN	APVD
GP	00		SEE SHEET 1			



THIS DRAWING IS A CONTROLLED DOCUMENT.		DWN M. SCHMITT 07JUN07	TE Connectivity
DIMENSIONS: mm		CHK M. SCHMITT 07JUN07	
TOLERANCES UNLESS OTHERWISE SPECIFIED:		APVD B. WERTZ 07JUN07	NAME SFP+ IXI CAGE ASSEMBLY, PRESS FIT, EXTERNAL EMI SPRINGS
9 PLC ±0.1		PRODUCT SPEC 108-2364	SIZE CAGE CODE DRAWING NO. RESTRICTED TO
1 PLC ±0.1		APPLICATION SPEC 114-13120	A100779C=2007198
3 PLC ±0.05		WEIGHT	SCALE 6:1 SHEET 2 OF 2 REV C
4 PLC ±0.05		CUSTOMER DRAWING	
ANGLES ±0.05			